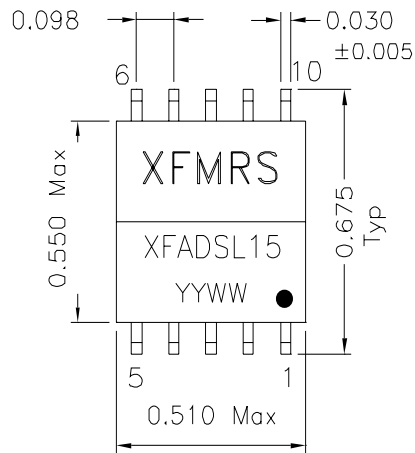
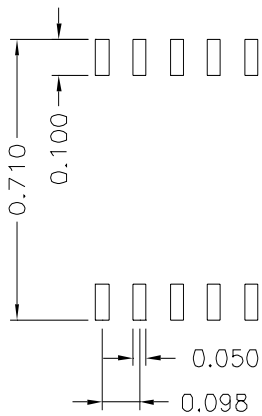


### 1. Dimensions:



CO-PLANARITY: 0.004 Max

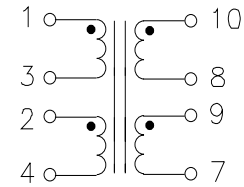


Suggested PCB Layout

Note: Designed to meet UL1950 Supplementary Insulation requirements for a working voltage up to 250V.

### 2.Schematic:

Line Side    Chip Side



### 3.Electrical Specifications: @25°C

Isolation: 2000Vrms

PIN10-6 OCL: 440uH±6% @10KHz 100mV

(CONNECT PIN7-9)

TURNS RATIO: (1-4):(10-7)=1CS:1CS ±2%

DCR: 1-3,2-4 0.590 Ohms Max

DCR: 9-7,10-8 0.480 Ohms Max

Leakage L: 1-4 10uH Max @ 300KHz, 0.1V

(Short Pins 2-3,7-10,9-8)

Long. Bal.: 25KHz-1.1MHz 40bdB Min

THD: -80dB @100KHz

Insertion Loss: 0.5dB Max @772KHz

DOC. REV A/1

<b>XFMRS Inc</b>	Title: ADSL TRANSFORMER	
	UNLESS OTHERWISE SPECIFIED TOLERANCES: .xxx ±0.010 Dimensions in INCH	P/N: XFADSL15 DWN. 廖玉坤 CHK. 李清儿 APP. Joe Huff
SHEET 1 OF 1	REV. A	Jan-11-00 Jan-11-00 Jan-11-00